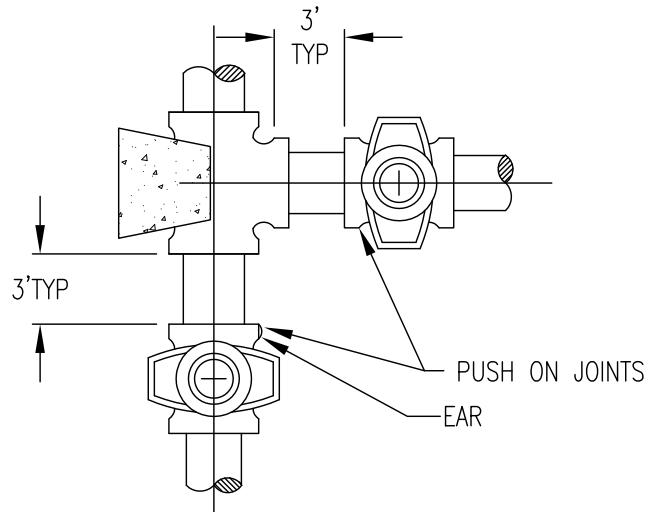
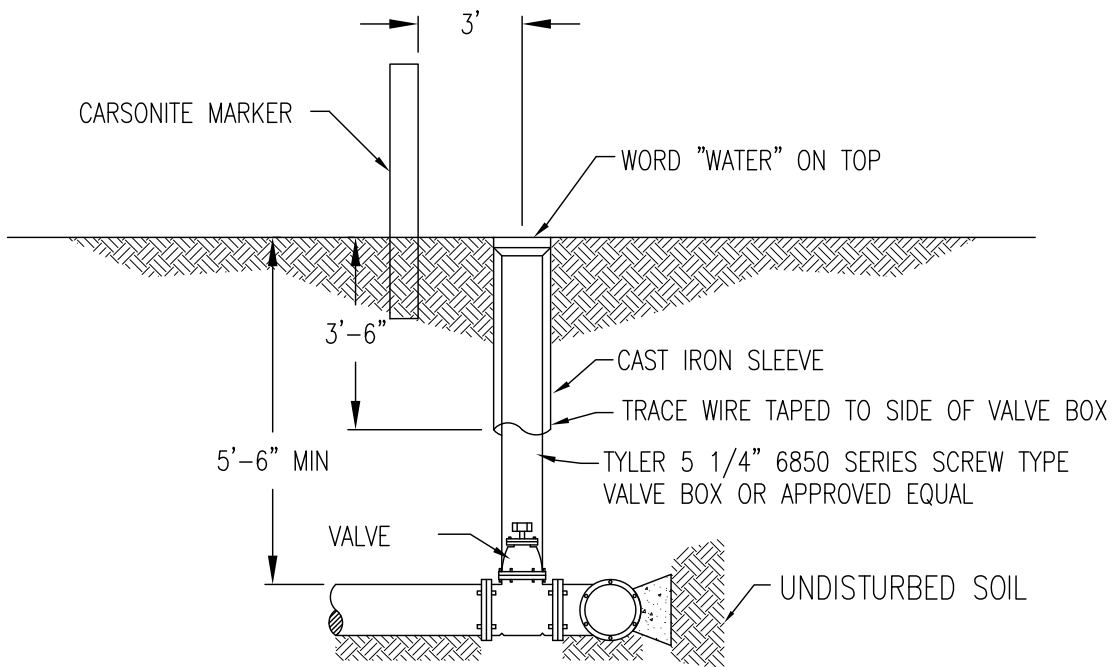


NOTES:  
 WRAP ALL FITTINGS  
 WITH 8 MIL  
 POLYETHYLENE



**VALVE OR TEE CONNECTION**



**VALVE BOX DETAIL**

\\Fsriver\CAD\2007\07-075-WWSD\dwg\STD-DWGS.dwg - VALVE OR TEE CONNECTION & VALVE BOX DETAIL, 10/28/2009 11:22:46 AM