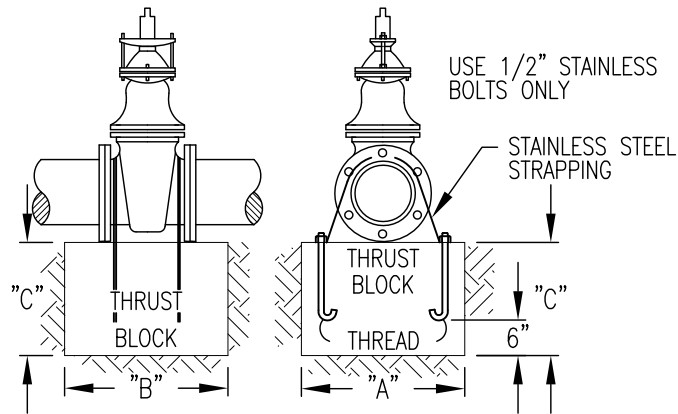


NOTE:
 COAT RODS W/"KOPPERS"
 BITUMASTIC NO. 50 COATING
 OR EQUAL.



THRUST BLOCK DIMENSIONS								
ANCHOR ROD SIZE	3/4"	3/4"	3/4"	1"	1 1/8"	1 1/4"	1 3/8"	
VALVE SIZE	6" & 8"	10"	12"	14"	16"	18"	24"	
100 PSI	"A"	2'-0"	2'-0"	2'-3"	2'-3"	3'-0"	3'-8"	4'-4"
	"B"	2'-0"	2'-0"	2'-0"	2'-0"	3'-0"	3'-0"	4'-0"
	"C"	2'-0"	2'-0"	2'-9"	2'-4"	2'-11"	3'-0"	4'-0"
150 PSI	"A"	2'-0"	2'-6"	3'-0"	3'-5"	4'-4"	5'-5"	6'-5"
	"B"	2'-0"	2'-6"	3'-0"	3'-0"	3'-0"	3'-0"	4'-0"
	"C"	2'-0"	2'-0"	2'-8"	3'-0"	3'-0"	3'-0"	4'-0"
200 PSI	"A"	2'-0"	2'-9"	3'-5"	4'-6"	4'-1"	5'-1"	6'-6"
	"B"	2'-0"	2'-6"	3'-0"	3'-0"	4'-0"	4'-0"	5'-0"
	"C"	2'-0"	2'-6"	3'-0"	3'-0"	4'-0"	4'-0"	5'-0"
250 PSI	"A"	2'-0"	3'-0"	4'-3"	4'-0"	5'-1"	6'-4"	6'-5"
	"B"	2'-0"	3'-0"	3'-0"	4'-0"	4'-0"	4'-0"	6'-0"
	"C"	2'-0"	3'-0"	3'-0"	4'-0"	4'-0"	4'-0"	6'-0"
300 PSI	"A"	2'-0"	3'-7"	5'-1"	4'-9"	6'-1"	5'-9"	7'-8"
	"B"	2'-0"	3'-0"	3'-0"	4'-0"	4'-0"	5'-0"	6'-0"
	"C"	2'-7"	3'-0"	3'-0"	4'-0"	4'-0"	5'-0"	6'-0"

- NOTES:
1. PRESSURES SHOWN ABOVE ARE MAXIMUM WORKING PRESSURE IN SYSTEM.
 2. TO BE INSTALLED AS CALLED FOR AND AT LOCATIONS AS SHOWN ON THE PLANS.
 3. FOR OTHER CONDITIONS, THRUST BLOCKING MUST BE COMPUTED AND APPROVED.



P.O. BOX 457
 601 METZ DRIVE
 GILLETTE, WY 82717
 (307) 682-8936

WRIGHT WATER & SEWER DISTRICT
 WATERMAIN VALVE THRUST BLOCKS

\\Fserver\CAD\2007\07-075 WWSO\dwg\STD DWGS.dwg - THRUST BLOCKS, 10/28/2009 11:14:42 AM