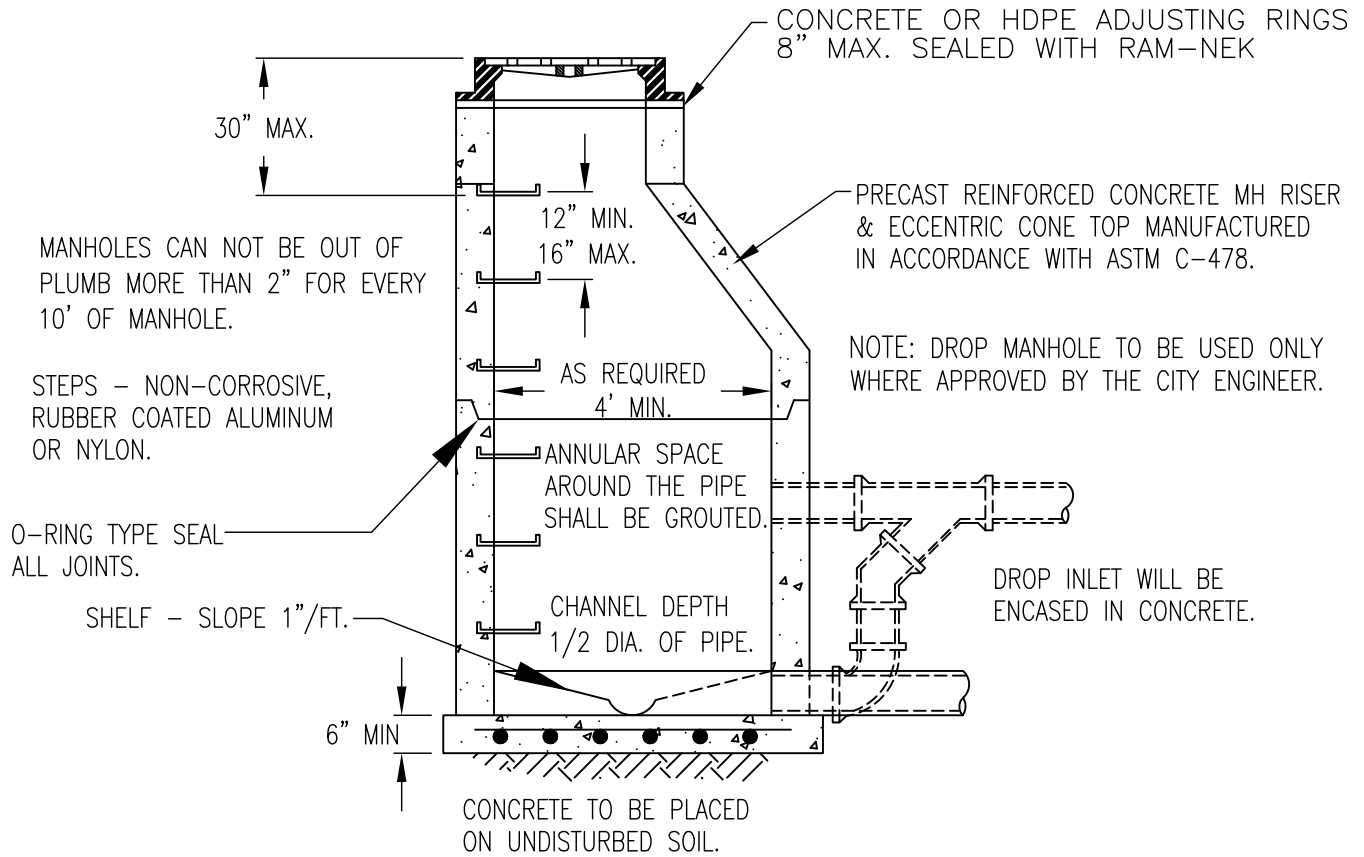


ALL MH RINGS AND COVERS WILL BE
NEENAH R-1649 OR DEETER 1258
WITH SELF SEALING NONVENTED LIDS.



\\Fsriver\c.ad\2007\07-075 WWSD\dwg\STD DWGS.dwg, SANITARY SEWER MANHOLE, 10/28/2009 11:23:40 AM